

Differential Pressure Gauges with Bourdon tube with copper alloy -or stainless steel system

Nominal size ND 100 and ND 160
Accuracy class 1,6



Features

permissible static pressure corresponds to full scale value

Direct reading of the differential pressure

High reliability on a longterm basis

Two working bourdon tubes

Dual scale bar / mWs

Measuring system in compact design

Applications

Industrial heaters

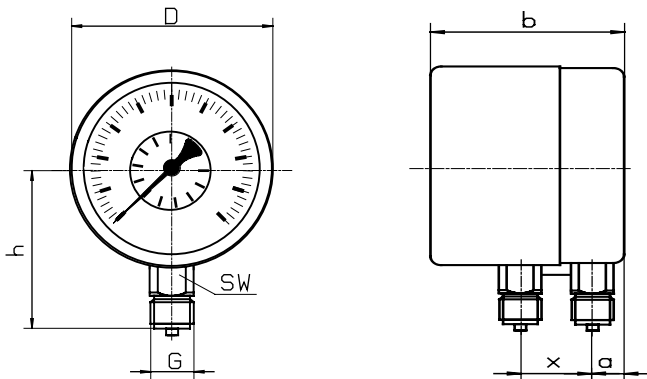
Filter monitoring,

Water supply systems

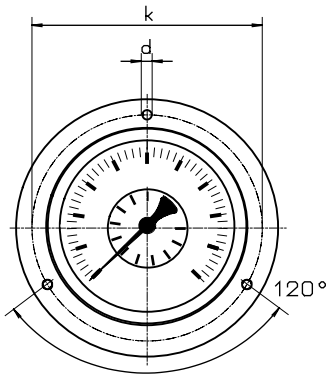
Models and ND	Measuring system copper alloy		Measuring system stainless steel	
	MDR-20 100	MDR-20 160	MRD-30 100	MRD-30 160
Ranges in bar	0...0,6, *) 1, 1,6, 2,5, 4, 6, 10, 16, 25, 40, 60, 100, 160, 250, 400, 600			
max. static pressure	full scale value			
Applications	Constant load : up to full scale value Alternating load : up to 09, x full scale value Short time : overload capacity 1,3 x full scale value short time !			
Case	steel black		Option CrNi steel , Option glycerine filling	
Bezel	steel black		steel black , Option CrNi steel	
Window	Single strength lens			
Pointer	Aluminium black , for + pressure Pointer dial , for - pressure and differential pressure in option without pointer dial , then with two Pointer			
Movement	Copper alloy		CrNi steel	
Measuring element	Copper alloy		CrNi steel	
Connection	SW 22, Copper alloy		CrNi steel	
Connection thread	2 x bottom G 1/2 B			
Protection	IP 33 to EN 60529 / IEC 529			
Temperatures	Medium: -20°C to 80°C, Ambient: -25°C to 60°C			
Weight	1,0 kg	1,6 kg	1,0 kg	1,6 kg

*) on NG 160 Range 0...0,6 bar undeliverable

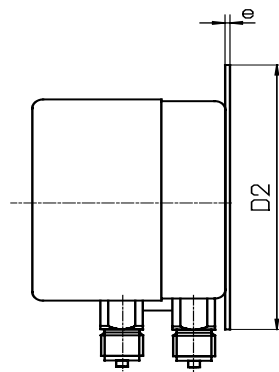
Dimensions



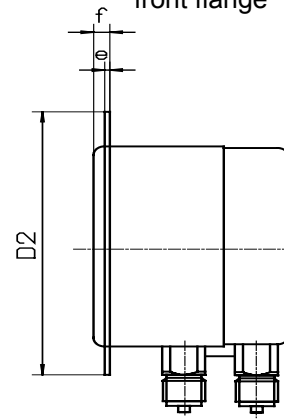
rear-or front flange



rear flange



front flange



Dimensions in mm														
Model	NG	D	a	b		h	x	D2	e	f	k	d	sw	G
MDR-20	100	101	21	83		87	32	132	5	4	116	4,8	22	G 1/2 B
MDR-20	160	101	20	83		118	32	196	6	9	178	5,8	22	G 1/2 B
MDR-30	100	160	21	83		87	32	132	5	4	116	4,8	22	G 1/2 B
MDR-30	160	160	20	83		118	32	196	6	9	178	5,8	22	G 1/2 B

Modelspecification

